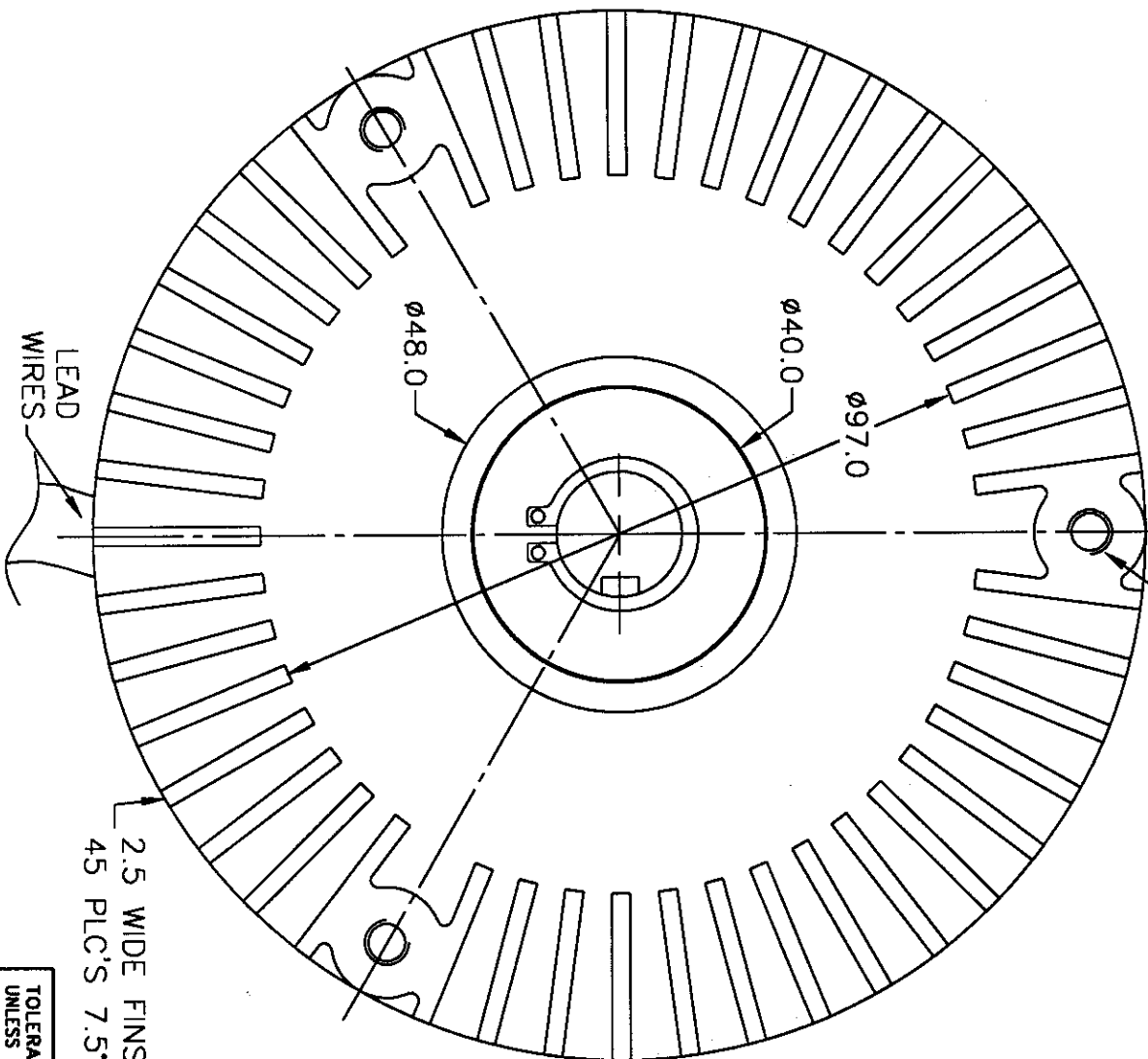
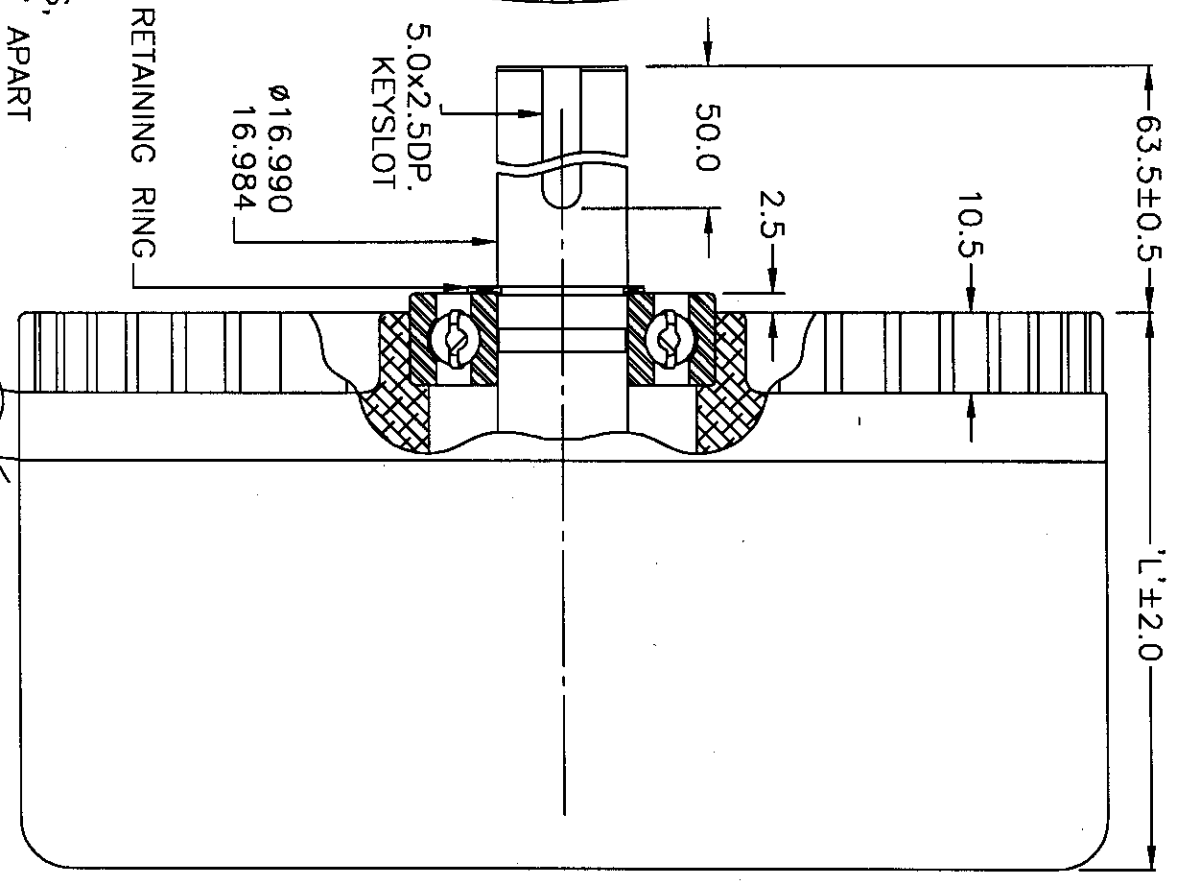


NOTE: THIS IS CONFIDENTIAL PROPERTY OF BMC. IT IS NOT TO BE COPIED OR DUPLICATED IN ANY MANNER AND SHALL NOT BE SUBMITTED TO OUTSIDE PARTIES WITHOUT OUR WRITTEN CONSENT.

PART NO.	'L'	REF. HP
12970-1	73.0	750
-2	92.0	1500
-3	113.0	2250



TAP M6x1x10 DP,
3 PLC'S 120°
ON A 127.0 PCD



2.5 WIDE FIN'S,
45 PLC'S 7.5° APART

RETAINING RING

5.0x2.5DP.
KEYSLOT

16.984
16.984

50.0

2.5

10.5

63.5 ± 0.5

'L' ± 2.0

REV.	DATE	BY	ECN	REMARKS	CK

- NOTE:
1. CONTROLLER MOUNTED INSIDE THE MOTOR.
 2. ALL DIMENSIONS ARE IN MM.

TOLERANCES UNLESS NOTED		ANGULARITY		DRAWN BY:	BMC
.0	±.25	CONCENTRICITY	CIRCULAR RUNOUT		
.00	±.13	(x) PERPENDICULARITY	(x) REFERENCE DIM.	CHECKED BY:	7625 Hesperus Ave., Suite 34, Van Nuys, CA 91406, USA
(x) REF. DIM.		(x) DIAMETER		SGN	MOTOR OUTLINE
		MATERIAL		DATE:	[54 FRAME]
				03 APRIL 03	12970C