

NOTE: THIS IS CONFIDENTIAL PROPERTY OF BMC. IT IS NOT TO BE COPIED OR DUPLICATED IN ANY MANNER AND SHALL NOT BE SUBMITTED TO OUTSIDE PARTIES WITHOUT OUR WRITTEN CONSENT.

REV.	DATE	BY	ECN	REMARKS	CK
A	30 OCT 2001		1029	SHAFT FLAT LENGTH 8.2 WAS 6.0MM	SCN

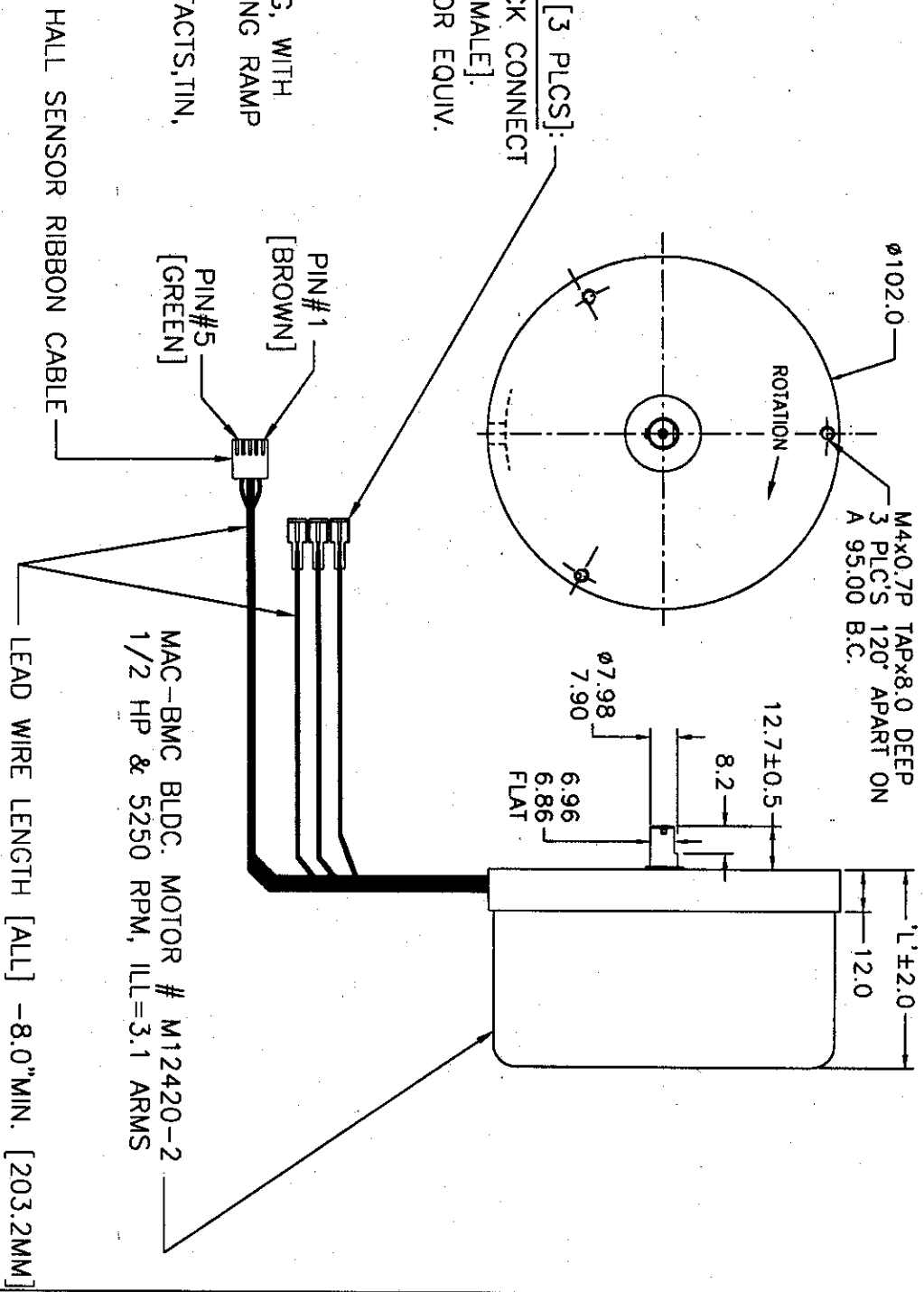
**MOTOR LEADS:**  
 PHASE U: RED  
 PHASE V: BLK.  
 PHASE W: WHT.

**MOTOR LEAD TERMINATIONS [3 PLCS]:**  
 0.250 INCH INSULATED QUICK CONNECT  
 TERMINALS [14/16 AWG, FEMALE].  
 3M TYPE MNU14-250DFIK OR EQUIV.

**TERMINATION:**  
 CRIMP TERMINAL HOUSING, WITH  
 POLARIZING RIB & LOCKING RAMP  
 MOLEX # 22-01-3057  
 REQUIRES 5 CRIMP CONTACTS, TIN,  
 MOLEX # 08-50-0114.

**PIN ASSIGNMENTS:**  
 PIN 1 BROWN  
 PIN 2 RED  
 PIN 3 ORANGE  
 PIN 4 YELLOW  
 PIN 5 GREEN

PART NO	'S'	'L'
12420-1	10.0	48.3
-2	19.0	57.3
-3	38.0	76.3



NOTE:--

1. ALL DIMENSIONS ARE IN MILLIMETERS.

TOLERANCES UNLESS NOTED	ANGULARITY	CIRCULAR RUNOUT	CONCENTRICITY	PERPENDICULARITY	REFERENCE DIM.	DIA.
.0	0	0	0	0	0	0
.00	0	0	0	0	0	0
(X) REF. DIM.	(X)	(X)	(X)	(X)	(X)	(X)

DRAWN BY:	CHECKED BY:	DATE:	MATERIAL:
		03 APRIL 2003	

**BMC** BRUSHLESS MOTOR CO.  
 705 Industrial Ave., Suite 34, San Diego, CA 92108, USA  
 MOTOR OUTLINE  
 36 FRAME  
 12420C  
 REV A