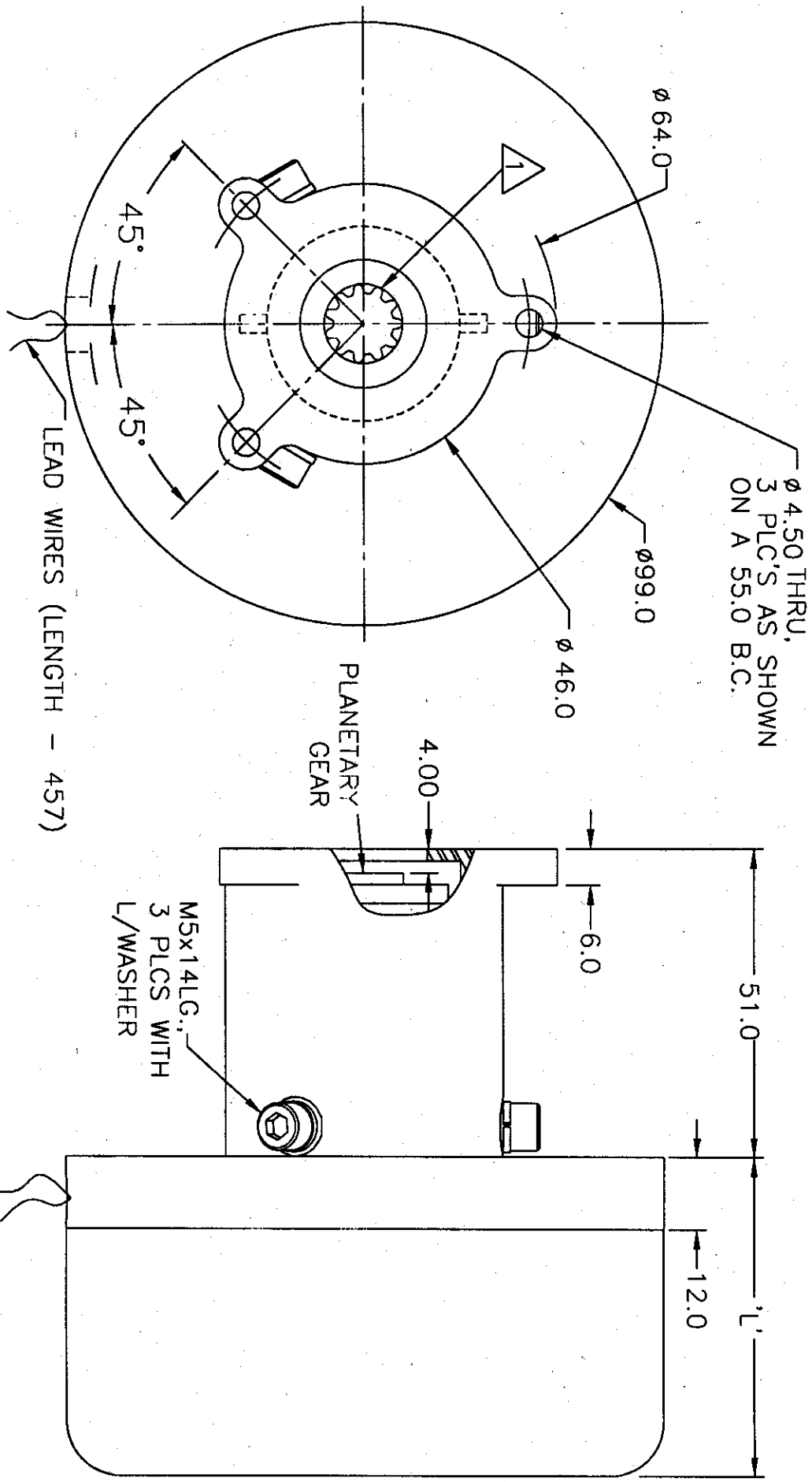


NOTE: THIS IS CONFIDENTIAL PROPERTY OF BMC. IT IS NOT TO BE COPIED OR DUPLICATED IN ANY MANNER AND SHALL NOT BE SUBMITTED TO OUTSIDE PARTIES WITHOUT OUR WRITTEN CONSENT.

REV.	DATE	BY	ECN	REMARKS	CK



1. FEMALE SERRRATION: 12.00mm, TOOTH NO.: 11, MODULE 1.00mm, DEPTH = 5.0mm
2. DRIVE ELECTRONICS MOUNTED INSIDE OF MOTOR.
3. ALL DIMENSIONS IN MILLIMETERS.

PART NO.	'L'
12410-1	48.3
-2	57.3
-3	76.3

TOLERANCES UNLESS NOTED .0 ±.25 .00 ±.13 ANGLE ± 2' (X) REF. DIM.		ANGULARITY CIRCULAR RUNOUT CONCENTRICITY PERPENDICULARITY (X) REFERENCE DIM. DIAMETER		DRAWN BY : PARTH CHECKED BY: SGN DATE: 03 APRIL 2003		BMC BRUSHLESS MOTOR CO. 7625 Homestead Ave., Suite 34, Van Nuys, CA 91410, USA MOTOR OUTLINE	
MATERIAL		MATERIAL		DATE:		REV.	
				03 APRIL 2003		12410C	