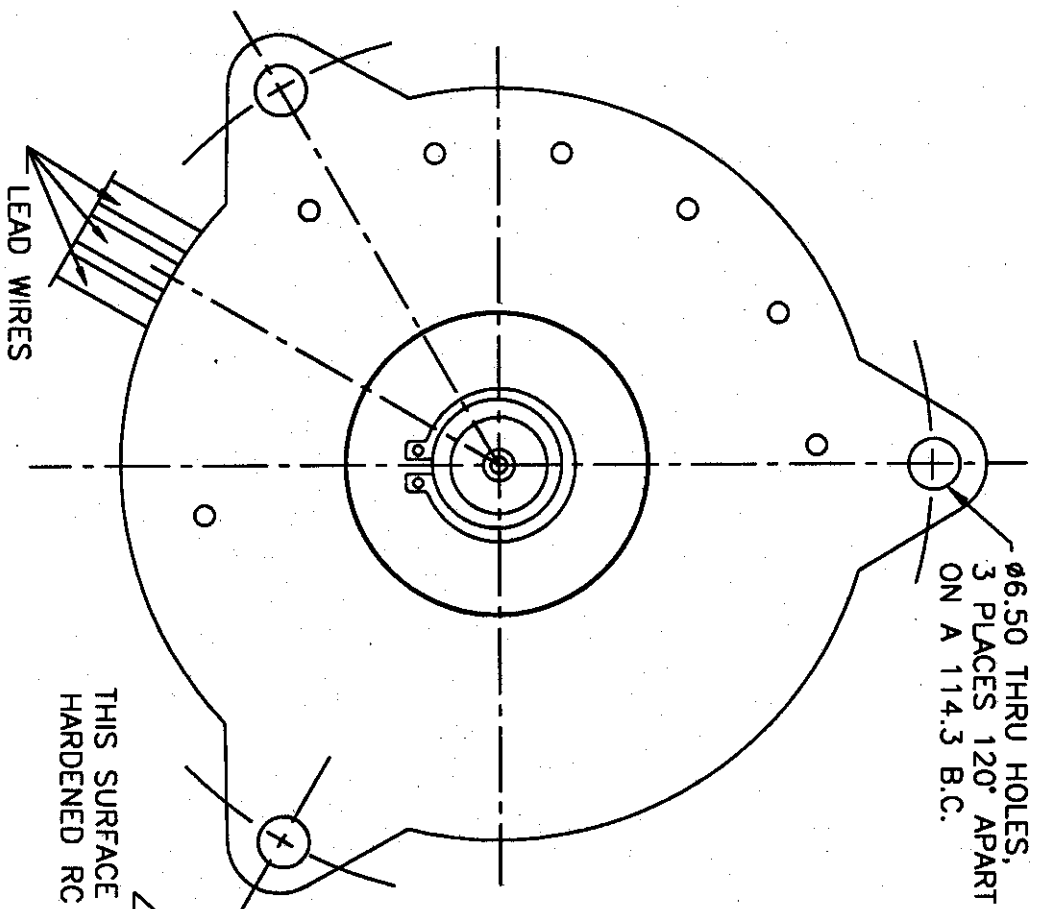
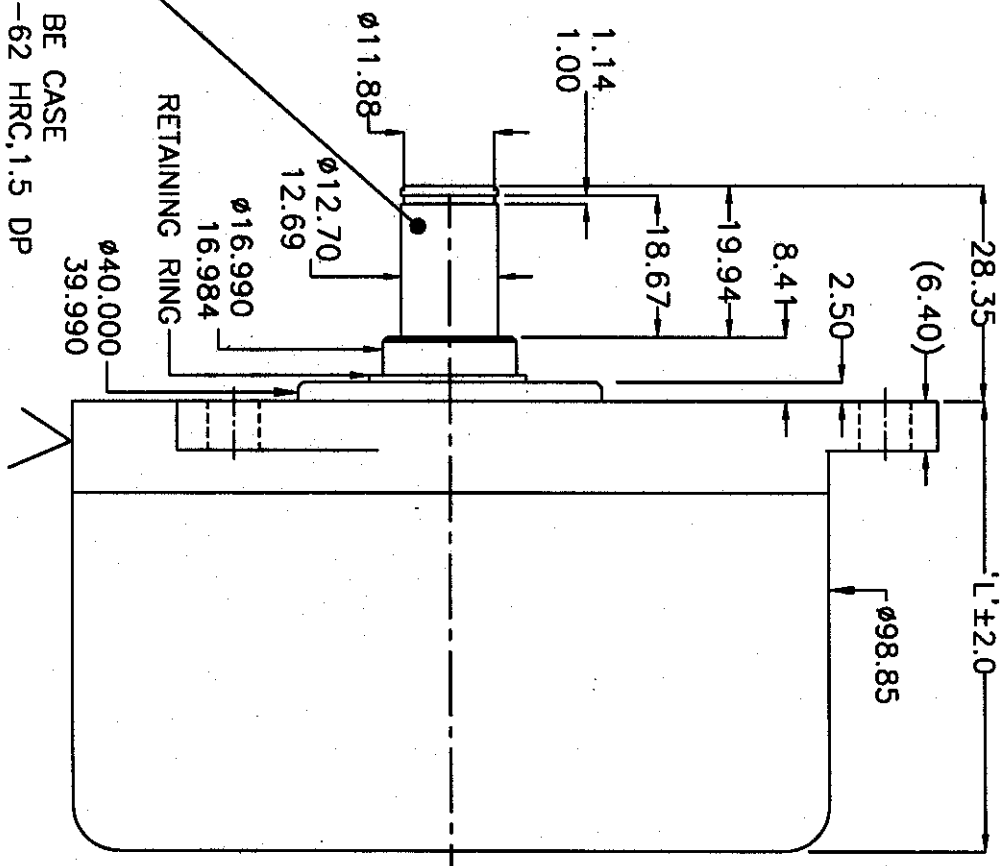


NOTE: THIS IS CONFIDENTIAL PROPERTY OF BMC. IT IS NOT TO BE COPIED OR DUPLICATED IN ANY MANNER AND SHALL NOT BE SUBMITTED TO OUTSIDE PARTIES WITHOUT OUR WRITTEN CONSENT.

REV.	DATE	BY	ECN	REMARKS	CK



THIS SURFACE TO BE CASE HARDENED RC 58-62 HRC, 1.5 DP



- NOTE:
1. DRIVE ELECTRONICS MOUNTED INSIDE THE MOTOR.
 2. ALL DIMENSIONS ARE IN MM.

PART NO	'L'	PERFORMANCE SPEC.
12170-1	69.5	300 WATTS

TOLERANCES UNLESS NOTED	ANGLE ± 2° (X) REF. DIM.	ANGULARITY	CIRCULAR RUNOUT	PERPENDICULARITY	REFERENCE DIM.	DRAWN BY:	CHECKED BY:	DATE:	MOTOR OUTLINE
.0	±.13	(X)	(X)	(X)	(X)			CAM 25 OCT 99	34 FRAME

BMC BRUSHLESS MOTOR CO.
 MOTOR OUTLINE
 12170C