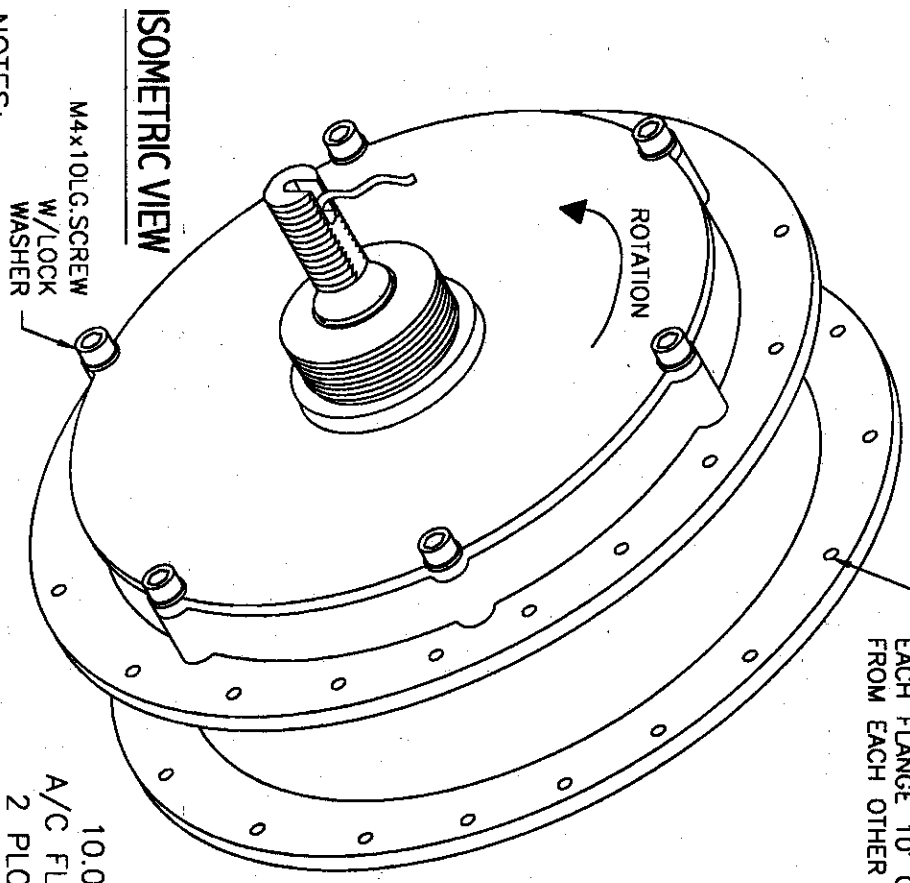
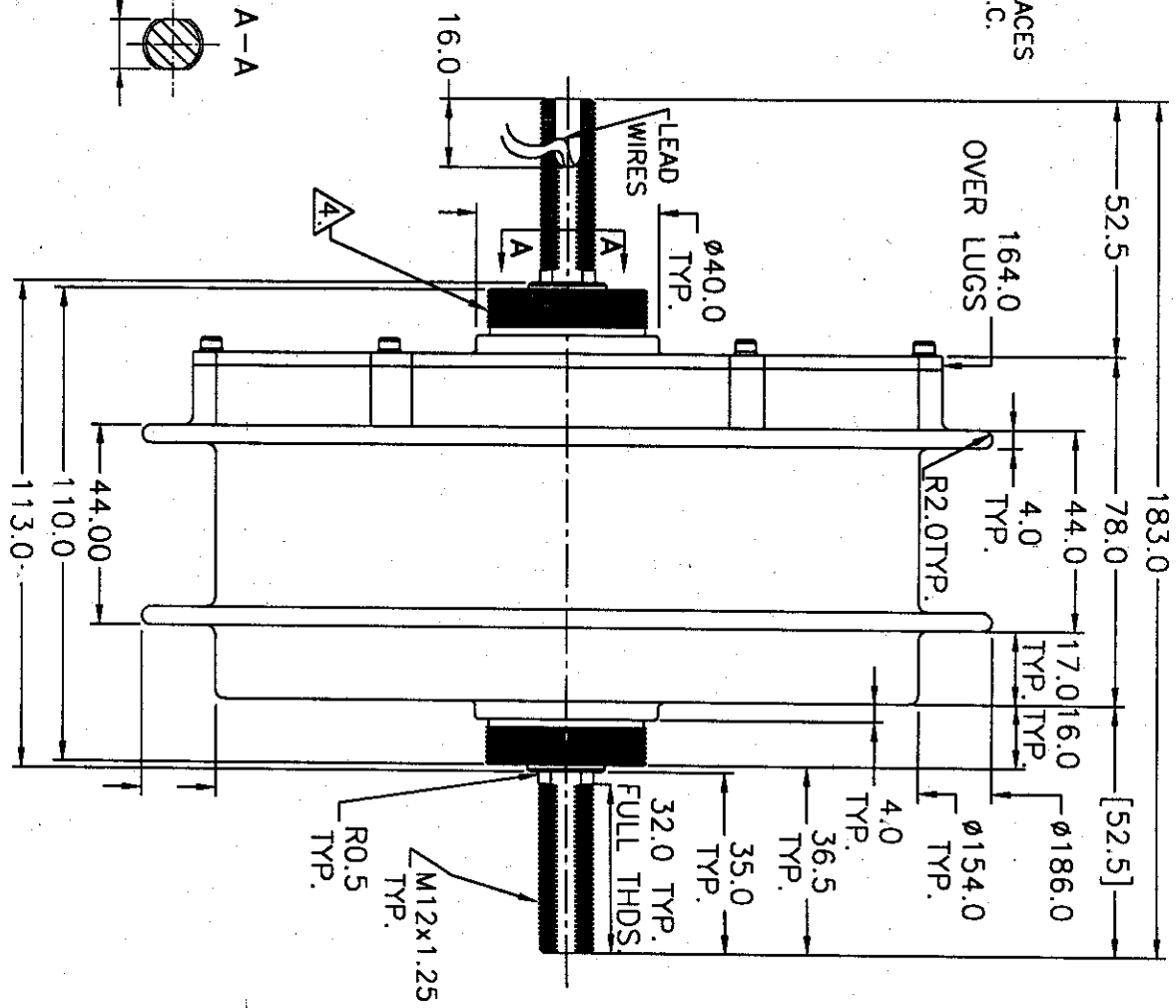
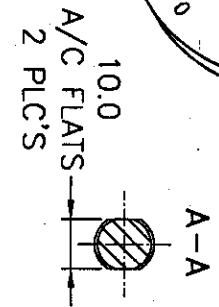


NOTE: THIS IS CONFIDENTIAL PROPERTY OF BMC. IT IS NOT TO BE COPIED OR DUPLICATED IN ANY MANNER AND SHALL NOT BE SUBMITTED TO OUTSIDE PARTIES WITHOUT OUR WRITTEN CONSENT.

PART NO	RATED POWER
12000-1	150 WATTS
-2	200 WATTS



Ø3.0 THRU HOLES, 18 PLACES
20' APART ON A 172.0 B.C.
EACH FLANGE 10' OFFSET
FROM EACH OTHER



- NOTES:
1. ROTATION: COUNTER CLOCKWISE LEAD END
 2. DRIVE ELECTRONICS MOUNTED INSIDE THE MOTOR
 3. ALL DIMENSIONS ARE IN MM

P/N	THREADS
12000-M	M35x1
12000-E	1.375"-24UN

TOLERANCES UNLESS NOTED Ø ±.25 .00 ±.13 (X) REF. DIM.	ANGULARITY CIRCULAR RUNOUT PERPENDICULARITY REFERENCE DIM. DIAMETER	DRAWN BY : PART# CHECKED : SGN	DATE: 03 APRIL 2003	BMC BRUSHLESS MOTOR CO. 1525 Thompson Ave. Suite 24, York, PA 17405, USA	OUTLINE 58 FR. HUB MOTOR	REV. -	CK
--	---	---	---------------------	---	-----------------------------	--------	----

SCALE:--0.6:1