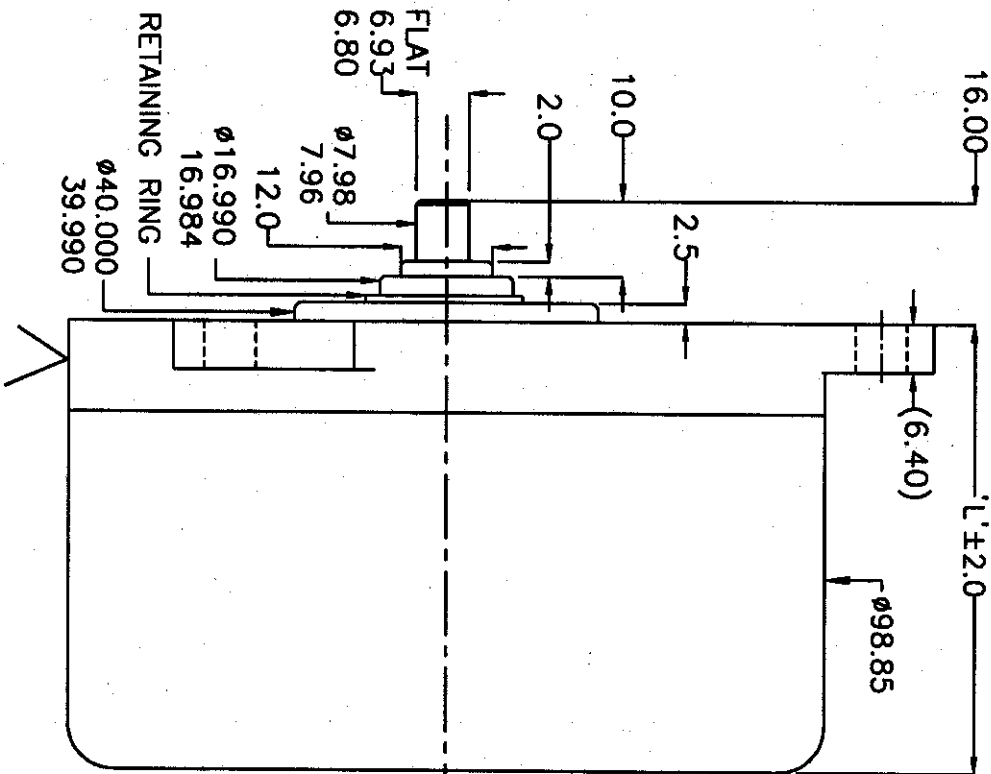
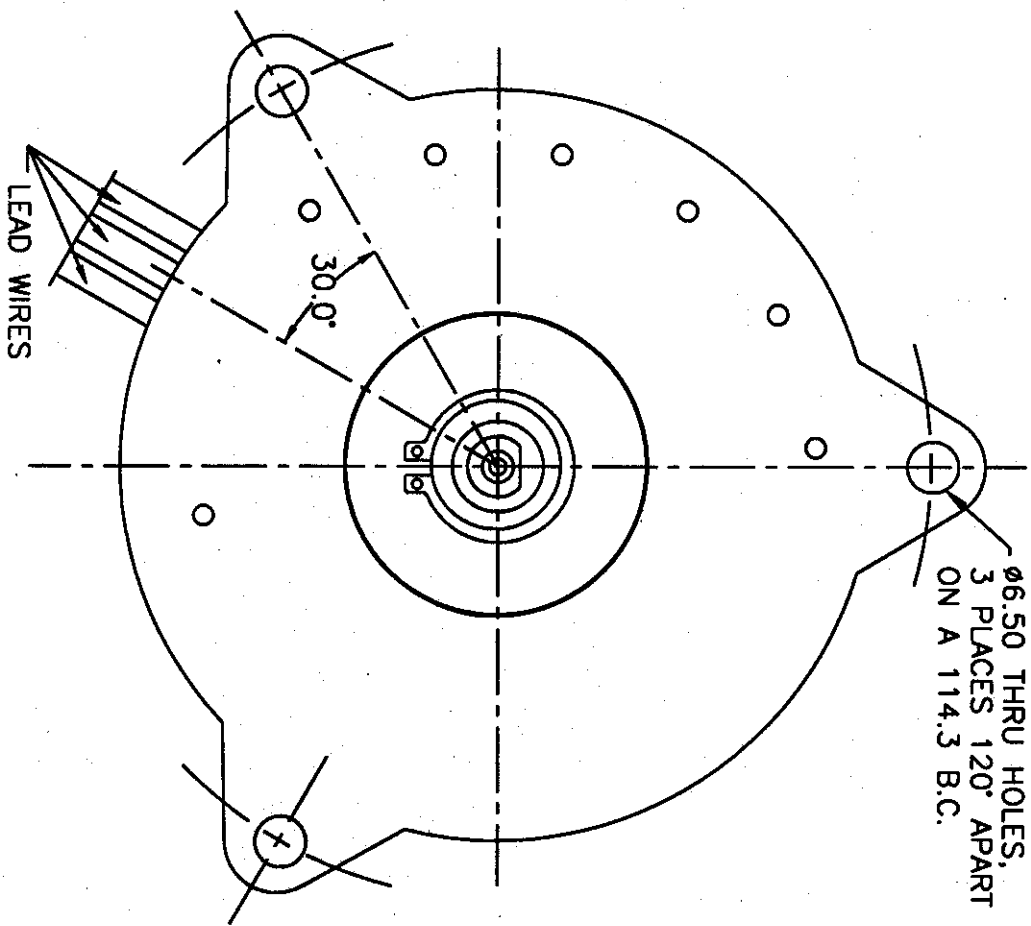


NOTE: THIS IS CONFIDENTIAL PROPERTY OF BMC. IT IS NOT TO BE COPIED OR DUPLICATED IN ANY MANNER AND SHALL NOT BE SUBMITTED TO OUTSIDE PARTIES WITHOUT OUR WRITTEN CONSENT.



NOTE:

1. DRIVE ELECTRONICS MOUNTED INSIDE THE MOTOR.
2. ALL DIMENSIONS ARE IN MM.

PART NO	'L'	PERFORMANCE SPEC.
11730-1	69.5	300 WATTS

TOLERANCES UNLESS NOTED	5	ANGULARITY
.0	1	CIRCULAR RUNOUT
.00	(x)	CONCENTRICITY
ANGLE ± 2°	(x)	PERPENDICULARITY
(x) REF. DIM.	(x)	REFERENCE DIM. DIAMETER
		MATERIAL

DRAWN BY:	DATE:
CHECKED BY:	CAM 18 AUG 99

BMC BRUSHLESS MOTOR CO.
7025 Harwood Ave. Ste. 24, New York, NY 10019, USA

MOTOR OUTLINE
34 FRAME

11730C

REV.

REV.	DATE	BY	ECN	REMARKS	CK