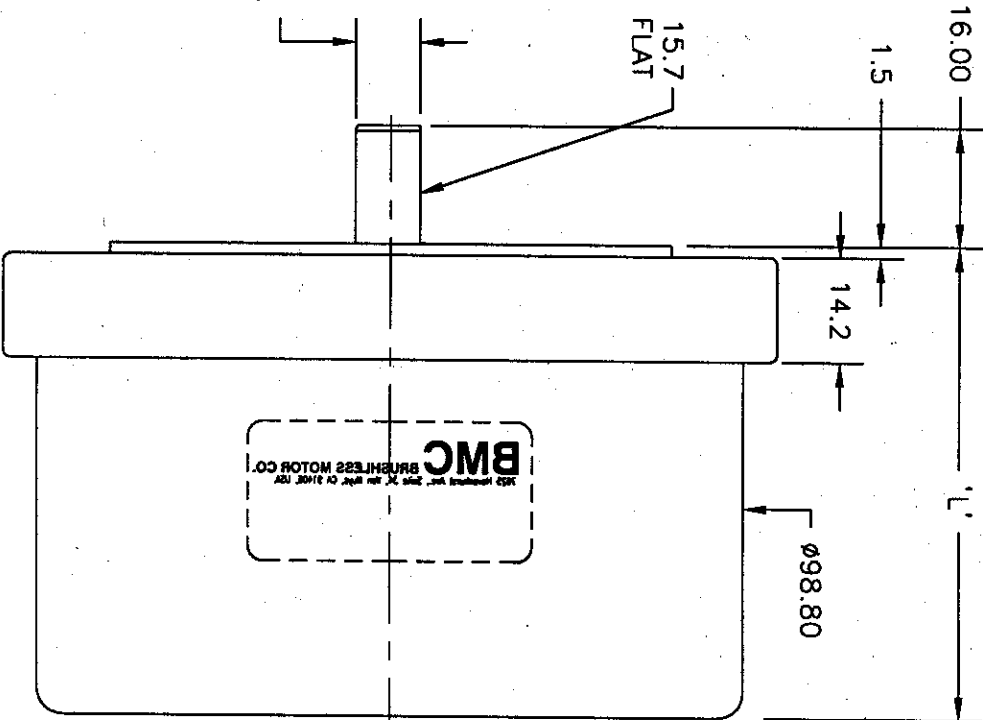
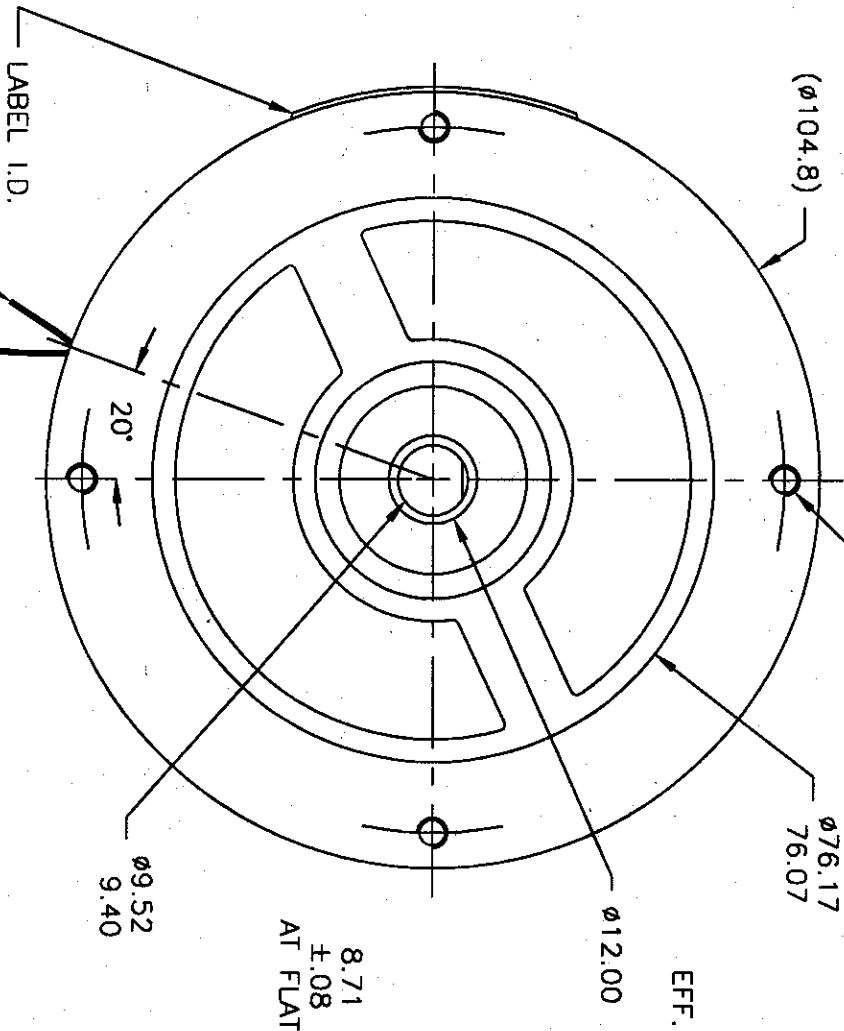


NOTE: THIS IS CONFIDENTIAL PROPERTY OF BMC. IT IS NOT TO BE COPIED OR DUPLICATED IN ANY MANNER AND SHALL NOT BE SUBMITTED TO OUTSIDE PARTIES WITHOUT OUR WRITTEN CONSENT.

PART NO.	'L'	REF. H.P.
11620-1	63.15	0.125
-2	78.41	0.250
-3	108.91	0.500

8-32 UNC x 6.4 DEEP  
4 PLCS 90° APART  
ON A 95.25 B.C



REV.	DATE	BY	ECN	REMARKS	CK

- NOTE:
1. ALL DIMENSIONS ARE IN MM.
  2. DRIVE ELECTRONICS MOUNTED INSIDE OF MOTOR.

REV.	DATE	BY	DRAWN BY:	<p><b>BMC BRUSHLESS MOTOR CO.</b> 705 Redwood Ave., Suite 31, San Diego, CA 92108, USA</p>
			CHECKED BY: S.C.N	
DATE: 03 April 2003			TOLERANCES UNLESS NOTED	<p><b>MOTOR OUTLINE</b></p> <p>ANGULARITY CIRCULAR RUNOUT CONCENTRICITY PERPENDICULARITY REFERENCE DIM. DIAMETER</p>
(X) REF. DIM.			.0 ±.25 .00 ±.13	
MATERIAL				11620C